

K15



KSTOOLS



MEASURING AND TESTING TOOLS

**KSTOOLS®**

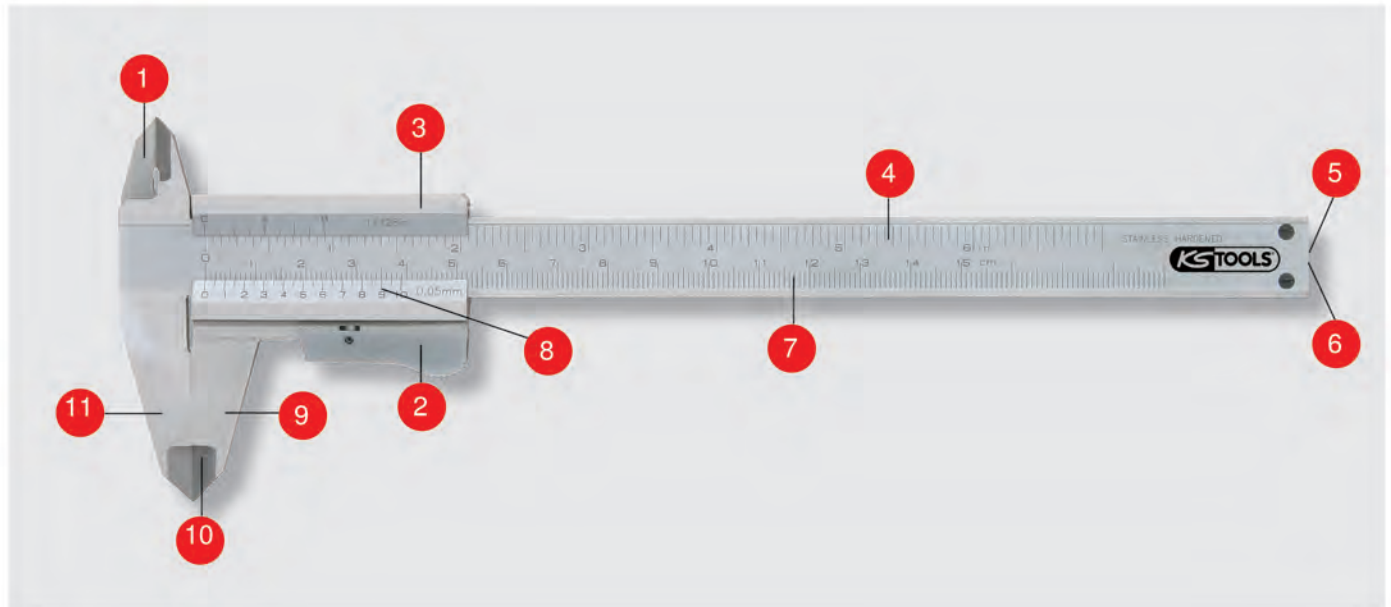
Innovation is
our mission!



	PAGE
ANALOGUE VERNIER CALIPERS	412
DIGITAL VERNIER CALIPERS	412
BRAKE DISK VERNIER CALIPERS	412 - 413
BRAKE DRUM CALIPERS	413
DEPTH VERNIER CALIPERS	413
MEASURING TOOL SET	413 - 414
MICROMETER & MOUNT	414
DIAL GAUGES & TABLE STAND	414 - 415
THREAD- & FEELER GAUGES	415 - 416
SQUARES	416 - 418
PROTRACTOR	418
FOLDING RULES	418 - 419
REEL TAPE MEASURES	419
SPIRIT LEVELS	420 - 421
RULERS	421
MARKING GAUGE & SCRIBER	421 - 422
DIVIDERS	422 - 423
MEASURING & TESTING TOOLS	423

MEASURING AND TEST TOOLS

Construction of the calipers with scale reading (head and vernier divisions)

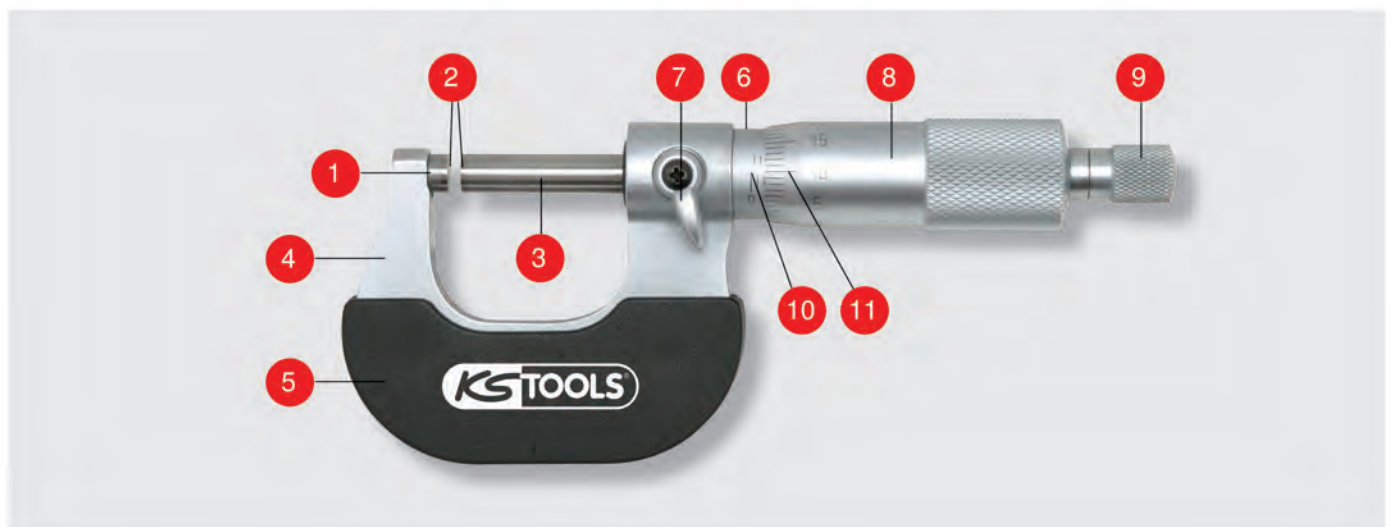


Denominations according to DIN 862

- 1. Cross measuring surfaces in the form of edges
- 2. Torque locking device
- 3. Slider
- 4. Guide rail
- 5. Deep measuring rod
- 6. Measuring surfaces for measuring of low dimensions

- 7. Line scale with main division
- 8. Vernier with vernier divisions
- 9. Adjustable measuring arm
- 10. Measuring surfaces for measuring of external dimensions
- 11. Fixed measuring arm

Construction of a micrometre

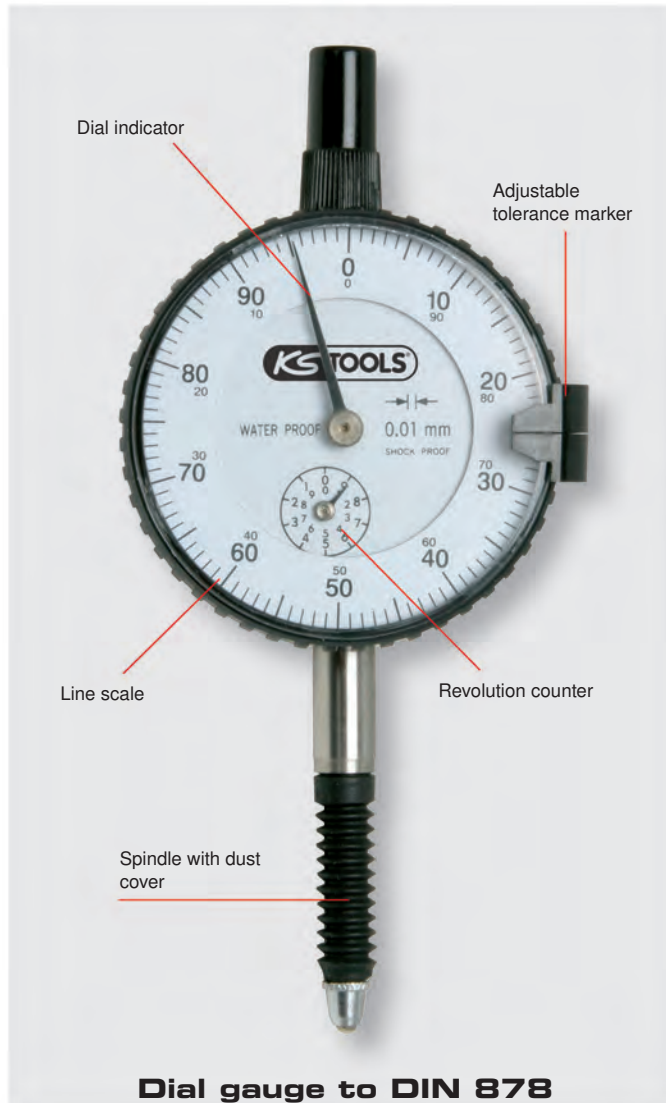


Denominations according to DIN 863

- 1. Measuring plug
- 2. Hard metal measuring surfaces
- 3. Bearings
- 4. Frame
- 5. Insulating plate
- 6. Scale sleeve

- 7. Clamping lever
- 8. Scale drum
- 9. Coupling
- 10. Reference line
- 11. Scales

Construction of the dial indicator gauge



Tolerance classes and identification standards for folding rules and tapes

The tolerance in accordance with EC-standard classes at 20° Celsius and with a tensile force of 20 Newton (N) for synthetic material and 50 Newton (N) for steel tapes

Corresponds to the European standard of metric measuring tools in accordance with specified tolerance classes / deviation in mm:

Length

EC-class of accuracy

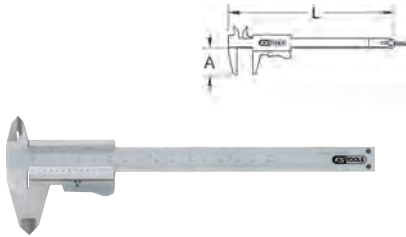
Registration number approval type

class	1m	2m	3m	5m	10m	15m	20m	30m	50m
Ⓚ	0,2	0,3	0,4	0,6	1,1	1,6	2,1	3,1	5,1
Ⓛ	0,5	0,7	0,9	1,3	2,3	3,3	4,3	6,3	10,3
Ⓜ	1,0	1,4	1,8	2,6	4,6	6,6	8,6	12,6	20,6

ANALOGUE VERNIER CALIPERS

Pocket vernier caliper 0 - 150 mm

- In accordance with DIN 862
- Instant declaration
- For external, internal, step and depth measurements
- Scale division in black
- Measuring bar in mm and imperial divisions
- Thread table
- Entirely hardened, finely engineered
- Stainless steel
- In leather case



	Measuring range mm	A mm	L mm	Display accuracy mm	Depth gauge	
300.0510	0 - 150	40.0	235.0	+/- 0,05	flat	145

Workshop vernier caliper 0 - 300 mm

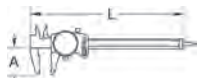
- In accordance with DIN 862
- Locking screw
- For external, internal, step and depth measurements
- Scale division in black
- Measuring bar in mm divisions
- Entirely hardened, finely engineered
- Stainless steel
- In durable plastic case



	Measuring range mm	A mm	L mm	Display accuracy mm	Depth gauge	
300.0515	0 - 300	55.0	415.0	+/- 0,05	flat	250

Dial vernier caliper 0 - 150 mm

- In accordance with DIN 862
- Fixed adjusting screw and revolving scale reading
- For external, internal, step and depth measurements
- Scale division in black
- Measuring bar in mm divisions
- Thread table
- Entirely hardened, finely engineered
- Stainless steel
- In durable plastic case



	Measuring range mm	A mm	L mm	Display accuracy mm	Depth gauge	Pointer revolution	
300.0547	0 - 150	40.0	236.0	+/- 0,02	flat	1.0	215

Workshop vernier caliper without points

- In accordance with DIN 862
- Locking screw
- For external and internal measurements
- Scale division in black
- Measuring bar in mm and imperial divisions
- Entirely hardened, finely engineered
- Stainless steel
- In durable plastic case



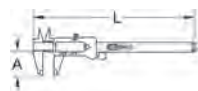
	Measuring range mm	A mm	L mm	Display accuracy mm	
300.0541	0 - 200	60.0	315.0	+/- 0,05	360
300.0542	0 - 250	90.0	365.0	+/- 0,05	390
300.0543	0 - 300	90.0	415.0	+/- 0,05	415
300.0544	0 - 400	125.0	550.0	+/- 0,05	950
300.0545	0 - 500	150.0	650.0	+/- 0,05	1495
300.0546	0 - 500	200.0	650.0	+/- 0,05	1980



DIGITAL VERNIER CALIPERS

Digital vernier caliper 0 - 150 mm

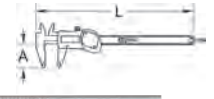
- In accordance with DIN 862
- With fixed adjusting screw and fine rolling adjustment
- For external, internal, step and depth measurements
- Scale division in black
- Measuring bar in mm and imperial divisions
- mm/imperial switching
- With thread table
- Reset (to zero) in every position possible
- Large LCD display - figure height 10.0 mm
- With automatic switching off
- Entirely hardened, finely engineered
- Stainless steel
- In durable plastic case



	Measuring range mm	A mm	L mm	Display accuracy mm	Depth gauge	
300.0532	0 - 150	40.0	235.0	+/- 0,01	flat	150

IP 67 digital vernier caliper 0 - 150 mm

- Accuracy according to works standard
- Protection class IP 67
- Locking screw
- For external, internal, step and depth measurements
- Scale division in blue
- Measuring bar in mm divisions
- mm/imperial switching
- Thread table
- Reset (to zero) in every position possible
- Large LCD display figure height 6,0 mm
- Automatic switching off
- Entirely hardened, finely engineered
- Stainless steel
- In durable plastic case



	Measuring range mm	A mm	L mm	Display accuracy mm	Depth gauge	
300.0531	0 - 150	40.0	240.0	+/- 0,01	flat	150

Workshop vernier caliper without points

- In accordance with DIN 862
- Locking screw
- For external and internal measurements
- mm/imperial switching
- Reset (to zero) in every position possible
- Knife points
- Fine adjustment
- Large LCD display figure height 6,0 mm
- Automatic switching off
- Entirely hardened, finely engineered
- Stainless steel
- In durable plastic case

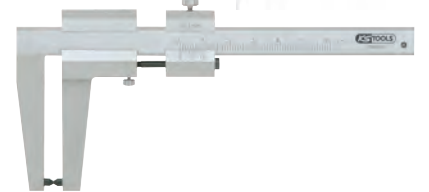
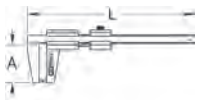


	Measuring range mm	A mm	L mm	Display accuracy mm	
300.0559	0 - 300	90.0	440.0	+/- 0,01	1.14
300.0562	0 - 500	150.0	670.0	+/- 0,01	2.86
300.0563	0 - 1000	150.0	1220.0	+/- 0,01	4.90

BRAKE DISK VERNIER CALIPERS

Brake disk vernier caliper

- In accordance with DIN 862
- Locking screw
- Scale division in black
- Measuring bar in mm divisions
- Entirely hardened, finely engineered
- Stainless steel
- In durable wooden case



	Measuring range mm	A mm	L mm	Display accuracy mm	
300.0535	0 - 60	55.0	162.0	+/- 0,01	130
300.0536	0 - 90	120.0	255.0	+/- 0,01	135

Digital brake disk vernier caliper 0 - 60 mm

- In accordance with DIN 862
- Locking screw
- For internal measurements
- Scale division in black
- Measuring bar in mm and imperial divisions
- mm/imperial switching
- Hold button for fixing measured
- Reset (to zero) in every position possible
- Large LCD display figure height 10.0 mm
- Automatic switching off
- Entirely hardened, finely engineered
- Stainless steel
- In durable plastic case



Measuring range mm	A mm	L mm	Display accuracy mm	Weight	
300.0540	0 - 60	55.0	160.0	+/- 0,01	130

Digital caliper for brake discs HGV 0 - 100 mm

- In accordance with DIN 862
- mm/imperial switching
- Hold button for fixing measured value
- Reset (to zero) in every position possible
- LCD display - figure height 6,0 mm
- With automatic switching off
- Stainless steel, hardened
- In durable plastic case

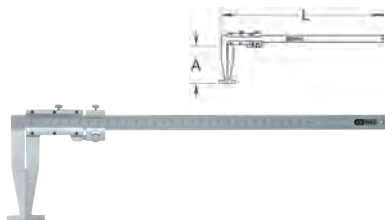


Measuring range mm	A mm	L mm	Display accuracy mm	Weight	
300.0539	0 - 100	95.0	207.0	+/- 0,01	155

BRAKE DRUM CALIPERS

Brake drum caliper

- In accordance with DIN 862
- Locking screw
- For external and internal measurements
- Scale division in black
- Fine adjustment
- Measuring bar in mm divisions
- Thread table
- Internal measure has direct reading
- Entirely hardened, finely engineered
- Stainless steel
- In durable wooden case

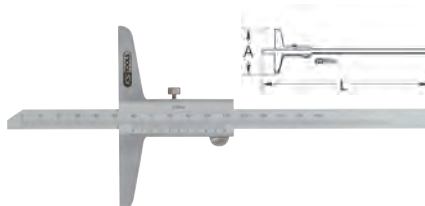


Inner measuring range mm	Outer measuring range mm	A mm	L mm	Display accuracy mm	Weight	
300.0525	0 - 300	40 - 340	95.0	410.0	+/- 0,02	500
300.0530	0 - 500	60 - 560	150.0	660.0	+/- 0,05	1380

DEPTH VERNIER CALIPERS

Depth gauge

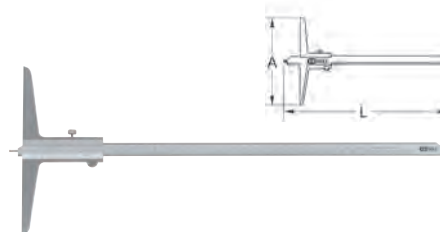
- In accordance with DIN 862
- Locking screw
- Vernier scale two sided accurate laser scales
- Scale division in black
- Measuring bar in mm divisions
- Entirely hardened, finely engineered
- Stainless steel
- In durable plastic case



Measuring range mm	A mm	L mm	Display accuracy mm	Weight	
300.0571	0 - 150	100.0	225.0	+/- 0,02	160
300.0572	0 - 200	100.0	275.0	+/- 0,02	174
300.0573	0 - 250	125.0	340.0	+/- 0,02	180
300.0574	0 - 300	125.0	382.0	+/- 0,02	285
300.0575	0 - 300	150.0	382.0	+/- 0,02	300
300.0576	0 - 400	150.0	480.0	+/- 0,02	370
300.0577	0 - 500	150.0	580.0	+/- 0,02	406

Depth vernier caliper with feeler pin

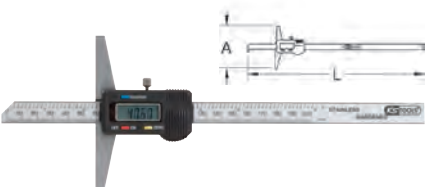
- In accordance with DIN 862
- Locking screw
- Vernier scale two sided accurate laser scales
- Scale division in black
- Measuring bar in mm divisions
- Entirely hardened, finely engineered
- Hardened feeler pin
- Stainless steel
- In durable plastic case



Measuring range mm	A mm	L mm	Display accuracy mm	Feeler pin mm	Weight	
300.0551	0 - 80	50.0	160.0	+/- 0,02	1,0	70
300.0552	0 - 150	100.0	231.0	+/- 0,02	1,5	150
300.0553	0 - 200	100.0	281.0	+/- 0,02	1,5	170
300.0554	0 - 300	150.0	390.0	+/- 0,02	2,0	300
300.0561	0 - 500	150.0	590.0	+/- 0,02	2,0	406

Digital depth vernier caliper 0 - 500 mm

- In accordance with DIN 862
- Locking screw
- For depth measurements
- Scale division in black
- mm/imperial switching
- Reset (to zero) in every position possible
- Large LCD display figure height 10,0 mm
- Automatic switching off
- Entirely hardened, finely engineered
- Stainless steel
- In durable plastic case



Measuring range mm	A mm	L mm	Display accuracy mm	Weight	
300.0549	0 - 500	200.0	580.0	+/- 0,01	1.15

Digital depth gauge 0 - 25 mm

- In accordance with DIN 862
- Locking screw
- For depth measurements
- mm/imperial switching
- Reset (to zero) in every position possible
- Large LCD display figure height 8.0 mm
- Little energy consumption through automatic switching off
- Entirely hardened, finely engineered
- Stainless steel
- In durable plastic case



Measuring range mm	A mm	L mm	Display accuracy mm	Weight	
300.0550	0 - 25	40.0	125.0	+/- 0,01	100

MEASURING TOOL SET

Measuring tool set

- Practical assortment for daily workshop usage
- Includes accurate machined protective foam insert
- In durable plastic storage case



Measuring tool set			Weight
150.2240	7 pcs	Measuring tool set	1.70
1 x		0 - 150 mm	
1 x		0 - 25 mm	
1 x		200 mm	
1 x		100 mm	
1 x		150 mm	
1 x		0 - 125 mm	
1 x		0,5 - 1,75 mm	

Brake disc test case

- For measuring the radial and axial runout of wheel hubs and brake discs
- Exact positioning of the dial gauge on the test object with magnetic dial gauge holder
- Quick and easy attachment of stand with prismatic support and activated magnets
- Precise setting of the measuring scale with adjustable tolerance marks
- With rotating, knurled outer ring
- Suitable for measuring the brake disc thickness, and for detection of irregularities and distortion
- With measured value fixing lever and measuring force control with ratchet function
- In durable plastic storage case



			kg
150.2230	3 pcs	Brake disc test case	4.00

consists of:

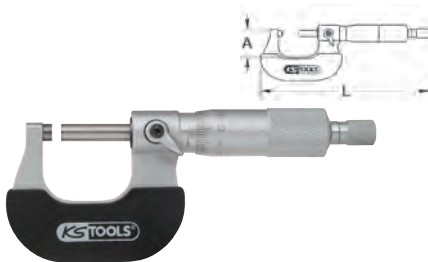
			kg
300.0625	Magnetic-measurement stand	2.00	
300.0560	Dial gauge 0 - 10 mm, mechanical	0.28	
300.0556	Outside micrometre 25- -50mm.	0.32	



MICROMETER & MOUNT

Micrometer

- In accordance with DIN 863
- With measurement locking screw
- Measuring force rule through ratchet sensation
- Spindle made out of hardened steel
- Measuring surfaces with hard metal tips
- With hand warmth insulation
- Stainless steel
- In durable plastic case



Measuring range mm	A mm	L mm	Display accuracy mm	Spindle mm	Drum mm	Spindle pitch mm	kg	
300.0555	0-25	30.0	130.0	+/- 0.01	6.5	17.0	0.5	300
300.0556	25-50	35.0	165.0	+/- 0.01	6.5	17.0	0.5	315
300.0557	50-75	46.0	190.0	+/- 0.01	6.5	17.0	0.5	370
300.0558	75-100	58.0	220.0	+/- 0.01	6.5	17.0	0.5	485

Digital outside micrometre

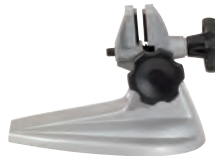
- DIN 863
- With measured value locating screw
- Measuring force rule through ratchet sensation
- Measuring surfaces with hard metal tips
- With hand warmth insulation
- Stainless steel
- 2 mm feed enables quick measurement
- IP54
- Large LCD display
- With automatic switching off
- In durable plastic case



Measuring range mm	A mm	L mm	Display accuracy mm	Spindle mm	Drum mm	Spindle pitch mm	kg	
300.0580	0-25	24.0	160.0	+/- 0.01	6.5	17.0	0.5	310
300.0581	25-50	32.0	180.0	+/- 0.01	6.5	17.0	0.5	320
300.0582	50-75	45.0	205.0	+/- 0.01	6.5	17.0	0.5	370
300.0583	75-100	57.0	220.0	+/- 0.01	6.5	17.0	0.5	390

Holder for external micrometers

- For external micrometers up to 300 mm
- Clamp opening 16mm
- Clamping jaws made out of plastic
- Inclinable locking facility
- Heavy standing foot
- Cast iron



			kg
300.0680		Holder for external micrometers	1.80

Set of outside micrometres

- in accordance with DIN 863
- With measured value locating screw
- Measuring force rule through ratchet sensation
- Spindle made out of hardened steel
- Measuring surfaces with hard metal tips
- With hand warmth insulation
- Stainless steel
- In durable plastic storage case



			kg
300.0538	4 pcs	Set of outside micrometres	2.45

consists of:

			kg
300.0555	Micrometer 0-25 mm, matt chrome plated	300	
300.0556	Outside micrometre 25- -50mm.	315	
300.0557	Outside micrometre 50- -75mm.	370	
300.0558	Outside micrometre 75- -100mm.	485	

DIAL GAUGES & TABLE STAND

Precision dial indicator gauge 0 - 10 mm

- In accordance with DIN 878
- With fixed adjusting screw and revolving scale reading
- Shockproof
- Splash proofed
- Measuring tip protected against contamination by a bellowed sleeve
- Clamping shaft Ø 8 mm H6
- With 2 measuring scales
- Spindle and clamping shaft made from stainless steel
- In durable plastic case



Measuring range mm	D mm	Display accuracy mm	Pointer revolution mm	kg	
300.0560	0 - 10	60.0	+/- 0.01	1.0	280

Digital precision dial indicator gauge 0 - 10 mm

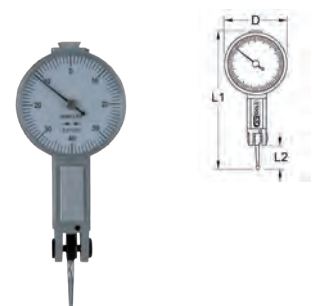
- mm/imperial switching
- Reset (to zero) in every position
- Large LCD display figure height 6,0 mm
- Clamping shaft Ø 8 mm H6
- Automatic switching off
- Spindle and clamping shaft made from stainless steel
- In durable wooden case



Measuring range mm	D mm	Display accuracy mm	kg	
300.0565	0 - 10	60.0	+/- 0.02	280

Precision-dial indicator gauge with zero setting 0 - 0.08 mm

- DIN 2270
- high performance and anti-magnetic due to its high-quality brass base body
- Tolerance marks
- Gem storage for enhanced sensitivity
- Carbide needle
- 230° turning range of the stylus
- In total there are 3 dovetails for mounting brackets
- Stylus length 16.5 mm
- In durable plastic storage case



Measuring range mm	D mm	L1 mm	L2 mm	Display accuracy mm	kg	
300.0564	0 - 0.08	30.0	75.0	16.5	+/- 0.01	130

Magnetic measurement stand with 2 joints

- For clamping of the dial indicator
- Revolving base
- Transverse arm with joint and fine adjustment
- With on and off switchable magnetic base
- High adhesive force on burnished steel and cast areas
- Also adhesive on convolutions
- Foot with prismatic base and stop area mounted edges
- With dial gauge reception Ø 8 mm



	Radius mm	Magnet foot L x W x H mm	Total depth mm	Adhesive force N	Stand Ø mm	
300.0625	180,0	60x50x55	280,0	600,0	16,0	2.00



Magnetic measurement stand with 3 joints

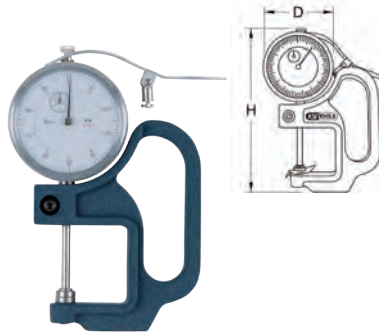
- For clamping of the dial indicator
- Revolving base
- Transverse arm with joint and fine adjustment
- With on and off switchable magnetic base
- High adhesive force on burnished steel and cast areas
- Also adhesive on convolutions
- Foot with prismatic base and stop area mounted edges
- With dial gauge reception Ø 8 mm



	Radius mm	Magnet foot L x W x H mm	Total depth mm	Adhesive force N	Stand Ø mm	
300.0623	280,0	50x55x60	380,0	600,0	12,0	1.70

Precision-dial indicator gauge 0 - 30 mm

- in accordance with ISO 9001
- with standard dial
- for measuring thickness of wires, sheet metal, films, threads etc.
- suitable for direct and comparative measurements
- with rotating scale
- Button made out of stainless steel
- Bracket made from cast iron
- In durable plastic case



	Measuring range mm	D mm	H mm	Display accuracy mm	Pointer revolution mm	
300.0624	0 - 30 mm	60,0	140	+/- 0,01	1,0	300

THREAD- & FEELER GAUGES

Welding seam gauge

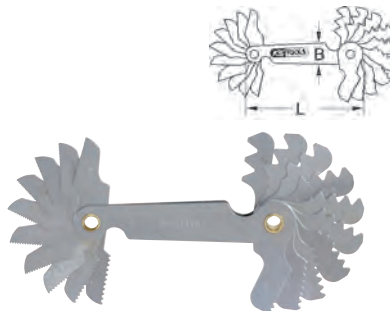
- For measuring the welded seams at right angled welded corners
- Blades fan shaped on a ring
- Leaves individually marked with size
- Blades made out of hardened spring steel



	Teeth pitch	
300.0619	12 3,0-3,5-4,0-4,5-5,0-5,5-6,0-6,5-7,0-8,0-10,0-12,0	50

Thread gauge

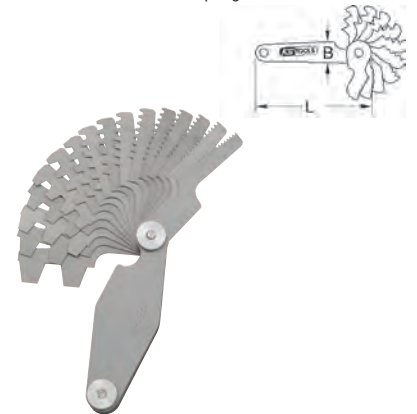
- For controlling and increasing the interior thread and outside thread
- Imperial sizes
- Cylindrical tapered
- Leaves fan shaped arrangement
- Leaves individually marked with size
- Out of hardened spring steel



	Teeth pitch	Measuring range	B mm	L mm	
301.0090	22	4-4,5-5-6-7-8-9-10-11-12-13-14-16-18-20-22-24-32-40-48-56-64mm	12,2	66,5	40
301.0095	20	0,40-0,45-0,50-0,60-0,70-0,75-0,80-1,00-1,25-1,50-1,75-2,00-2,50-3,00-3,50-4,00-4,50-5,00-5,50-6,00mm	12,2	66,5	40

Trapezoid steel thread gauge

- In accordance with DIN 103
- For measuring of trapezoid thread 2 - 12 mm pitch and tooth angle
- 30° notch
- Cleanly milled
- Blade made out of hardened spring steel



	Thread	Measuring range mm	L mm	B mm	
300.0622	30°	2-3-4-5-6-7-8-9-10-12-16-20	120,0	40,0	150

TORX® gauge

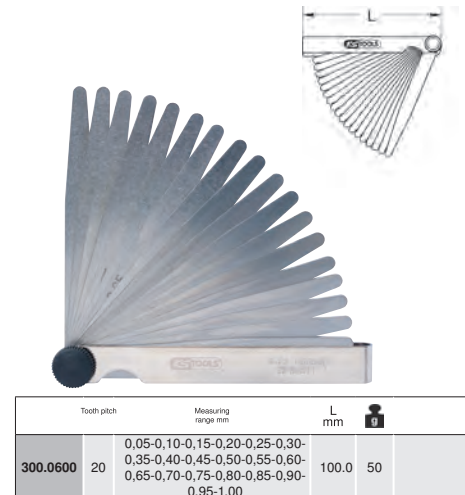
- For testing of TX and E profiles
- Measuring caps fan shaped on a ring
- Individually marked with size
- Measuring caps made from plastic



300.0610	20 pcs	E1xT5 - E2xT6 - E4xT7 - E5xT8 - E6xT9 - E7xT10 - E8xT15 - E10xT20 - E11xT25 - E12xT27 - E14xT30 - E16xT35 - E18xT40 - E20xT45 - E22xT47 - E24xT50 - E26xT55 - E28xT60 - E30xT70	50

Feeler gauge

- For the testing of intervals, contact distances, etc.
- Feeler gauge conical tapered
- Fixing nut
- Leaves individually marked with size
- Blades made out of hardened spring steel



	Teeth pitch	Measuring range mm	L mm	
300.0600	20	0,05-0,10-0,15-0,20-0,25-0,30-0,35-0,40-0,45-0,50-0,55-0,60-0,65-0,70-0,75-0,80-0,85-0,90-0,95-1,00	100,0	50

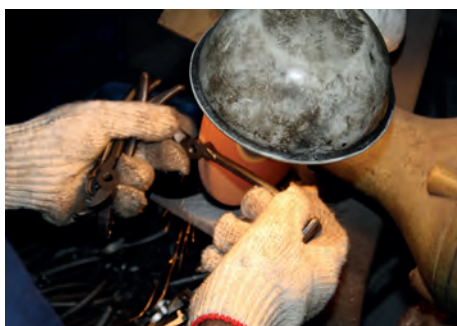
1
2
3
4
5
6
7
8
9
10
11
12
13
14
15
16
17
18
19
20
21
22
23
24
25
26
27

Antimagnetic brass feeler gauge

- For the testing of intervals, contact distances, etc.
- Feeler gauge conical tapered
- Fixing nut
- Leaves individually marked with size
- Blades made of brass

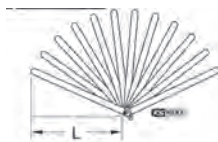


Tooth pitch	Measuring range mm	L mm	g
300.0611	8 0,05-0,1-0,15-0,2-0,25-0,3-0,4-0,5	100,0	55
300.0612	13 0,05-0,1-0,15-0,2-0,25-0,3-0,4-0,5-0,6-0,7-0,8-0,9-1,0	100,0	70
300.0613	20 0,05-0,1-0,15-0,2-0,25-0,3-0,35-0,4-0,45-0,5-0,55-0,6-0,65-0,7-0,75-0,8-0,85-0,9-0,95-1,0	100,0	85



Piston tolerance gauge

- For the testing of intervals, contact distances, etc.
- Feeler gauge cylindrical
- Blades fan shaped on a ring
- Leaves individually marked with size
- Blades made out of hardened spring steel



Tooth pitch	Measuring range mm	L mm	g
300.0614	8 0,05-0,1-0,15-0,2-0,25-0,3-0,4-0,5	150,0	30
300.0617	8 0,05-0,1-0,15-0,2-0,25-0,3-0,4-0,5	200,0	50
300.0615	13 0,05-0,1-0,15-0,2-0,25-0,3-0,4-0,5-0,6-0,7-0,8-0,9-1,0	150,0	80
300.0618	13 0,05-0,1-0,15-0,2-0,25-0,3-0,4-0,5-0,6-0,7-0,8-0,9-1,0	200,0	150
300.0616	20 0,05-0,1-0,15-0,2-0,25-0,3-0,35-0,4-0,45-0,5-0,55-0,6-0,65-0,7-0,75-0,8-0,85-0,9-0,95-1,0	150,0	150

SQUARES

Square

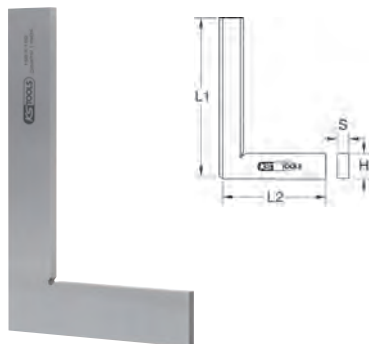
- Ideal for general working
- Machined on all sides
- Steel



	L1 mm	L2 mm	H mm	S mm	g
300.0231	100,0	70,0	20,0	5,0	115
300.0232	150,0	100,0	20,0	5,0	175
300.0233	200,0	130,0	20,0	5,0	250
300.0234	250,0	160,0	25,0	5,0	375
300.0235	300,0	180,0	25,0	5,0	525
300.0236	400,0	230,0	30,0	5,0	615
300.0237	500,0	280,0	30,0	5,0	870
300.0238	600,0	330,0	30,0	5,0	1095
300.0239	750,0	375,0	30,0	5,0	1550
300.0241	1000,0	500,0	30,0	5,0	2910

Square

- In accordance with DIN 875/1
- For the most accurate working and inspection in precision mechanical engineering
- Perpendicularity-, Parallelism- and smoothness tolerances finely ground and aligned
- Stock and cross section finely ground and aligned
- Special steel



	L1 mm	L2 mm	H mm	S mm	g
300.0199	75,0	50,0	15,0	5,0	80
300.0200	100,0	70,0	20,0	5,0	100
300.0201	150,0	100,0	25,0	5,0	250
300.0202	200,0	130,0	30,0	6,0	500
300.0203	250,0	165,0	35,0	7,0	700
300.0204	300,0	200,0	40,0	8,0	1150
300.0205	400,0	265,0	40,0	8,0	1180
300.0206	500,0	330,0	40,0	8,0	2800



Square

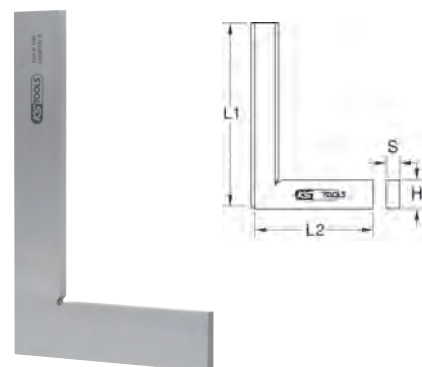
- In accordance with DIN 875/0
- Ideal for the most accurate working and inspection in precision mechanical engineering
- Perpendicularity-, Parallelism- and smoothness tolerances finely ground and aligned
- Stock and cross section finely ground and aligned
- Stainless steel



	L1 mm	L2 mm	H mm	S mm	g
300.0291	50,0	40,0	12,0	5,0	40
300.0292	75,0	50,0	15,0	5,0	70
300.0293	100,0	70,0	20,0	5,0	115
300.0294	150,0	100,0	25,0	5,0	210
300.0295	200,0	130,0	30,0	6,0	350
300.0296	250,0	165,0	35,0	7,0	850
300.0297	300,0	200,0	40,0	8,0	1300

Square

- In accordance with DIN 875/2
- Ideal for accurate working in precision mechanical engineering and shop floor use
- Perpendicularity-, Parallelism- and smoothness tolerances ground
- Stock area and cross area ground
- Special steel



	L1 mm	L2 mm	H mm	S mm	g
300.0254	75,0	50,0	15,0	5,0	80
300.0255	100,0	70,0	20,0	5,0	100
300.0256	150,0	100,0	25,0	5,0	240
300.0257	200,0	130,0	30,0	6,0	450
300.0258	250,0	165,0	35,0	7,0	550
300.0259	300,0	175,0	40,0	8,0	800
300.0260	400,0	200,0	45,0	10,0	1100
300.0261	500,0	250,0	50,0	10,0	1600



Square with stock

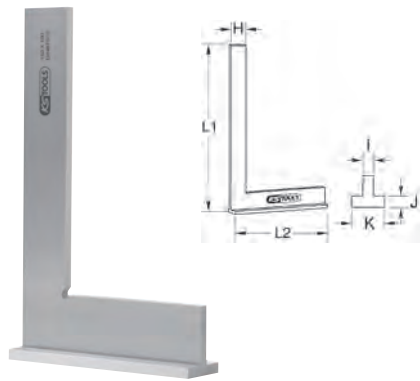
- Ideal for general working
- Stock
- Machined on all sides
- Steel



	L1 mm	L2 mm	H mm	I mm	J mm	K mm	Weight
300.0270	100.0	70.0	20.0	5.0	5.0	20.0	170
300.0271	150.0	100.0	20.0	5.0	5.0	20.0	260
300.0272	200.0	130.0	20.0	5.0	5.0	20.0	340
300.0273	250.0	160.0	25.0	5.0	5.0	25.0	530
300.0274	300.0	180.0	25.0	5.0	5.0	25.0	620
300.0275	400.0	230.0	30.0	6.0	6.0	30.0	1160
300.0276	500.0	280.0	30.0	6.0	6.0	30.0	1440
300.0277	600.0	330.0	30.0	6.0	6.0	30.0	1720
300.0278	750.0	375.0	30.0	6.0	6.0	30.0	2060
300.0279	1000.0	500.0	30.0	6.0	6.0	30.0	2760

Square with stock

- In accordance with DIN 875/2
- Ideal for accurate working in precision mechanical engineering and shop floor use
- Stock
- Perpendicularity-, Parallelism- and smoothness tolerances ground
- Stock area and cross area ground
- Special steel



	L1 mm	L2 mm	H mm	I mm	J mm	K mm	Weight
300.0281	75.0	50.0	15.0	5.0	5.0	15.0	100
300.0282	100.0	70.0	20.0	5.0	5.0	20.0	155
300.0283	150.0	100.0	25.0	5.0	5.0	25.0	330
300.0284	200.0	130.0	30.0	6.0	6.0	30.0	650
300.0285	250.0	165.0	35.0	7.0	7.0	35.0	750
300.0286	300.0	175.0	35.0	7.0	7.0	35.0	1200
300.0287	400.0	200.0	40.0	8.0	8.0	40.0	1480
300.0288	500.0	250.0	40.0	8.0	8.0	40.0	2300

Square with stock

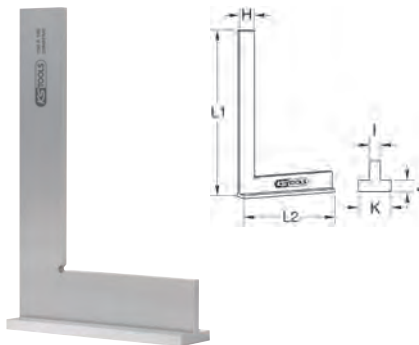
- In accordance with DIN 875/1
- For the most accurate working and inspection in precision mechanical engineering
- Perpendicularity-, Parallelism- and smoothness tolerances finely ground and aligned
- Stock and cross section finely ground and aligned
- Stock
- Special steel



	L1 mm	L2 mm	H mm	I mm	J mm	K mm	Weight
300.0209	75.0	50.0	15.0	5.0	5.0	15.0	100
300.0210	100.0	70.0	20.0	5.0	5.0	20.0	150
300.0211	150.0	100.0	25.0	5.0	5.0	25.0	400
300.0212	200.0	130.0	30.0	6.0	6.0	30.0	700
300.0213	250.0	165.0	35.0	7.0	7.0	35.0	1100
300.0214	300.0	200.0	40.0	8.0	8.0	40.0	1600
300.0215	400.0	265.0	40.0	8.0	8.0	40.0	2700
300.0216	500.0	330.0	40.0	8.0	8.0	40.0	4360

Square with stock

- In accordance with DIN 875/0
- Ideal for the most accurate working and inspection in precision mechanical engineering
- Perpendicularity-, Parallelism- and smoothness tolerances finely ground and aligned
- Stock and cross section finely ground and aligned
- Stock
- Stainless steel

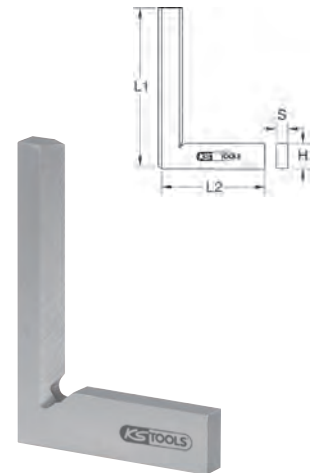


	L1 mm	L2 mm	H mm	I mm	J mm	K mm	Weight
300.0311	50.0	40.0	14.0	5.5	4.5	18.0	60
300.0312	75.0	50.0	18.5	5.5	4.5	17.5	100
300.0313	100.0	70.0	20.0	5.5	5.0	23.4	185
300.0314	150.0	100.0	24.0	5.5	6.0	23.4	330
300.0315	200.0	130.0	28.5	6.0	6.0	27.5	560
300.0316	250.0	165.0	36.0	8.0	7.0	32.0	1050
300.0317	300.0	200.0	39.0	8.0	8.0	38.0	1490



Precision hard square

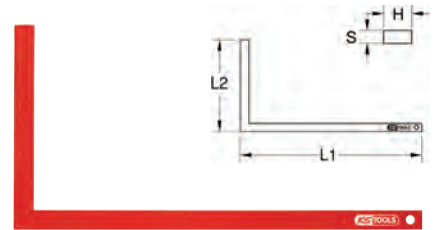
- In accordance with DIN 875/00
- For inspection and test working in light cold processing
- Perpendicularity -, Parallelism- and smoothness tolerances finely ground and aligned
- Stock and cross section finely ground and aligned
- Hardened
- Stainless steel



	L1 mm	L2 mm	H mm	S mm	Weight
300.0318	25.0	20.0	5.0	3.5	40
300.0319	40.0	28.0	5.0	3.5	80

Carpenters square

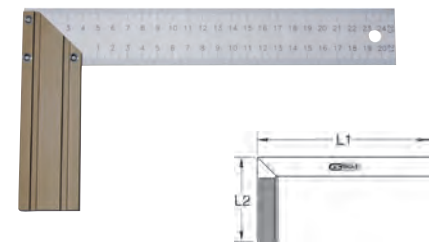
- Hanging hole
- Without head stock
- Red powder coating
- Quenched and tempered
- Special steel



	L1 mm	L2 mm	H mm	S mm	Weight
300.0250	500.0	260.0	35.0	1.5	840
300.0251	600.0	280.0	35.0	1.5	1070
300.0252	800.0	320.0	35.0	1.5	1370
300.0253	1000.0	380.0	35.0	1.5	1700

Cabinetmakers square with aluminium stock

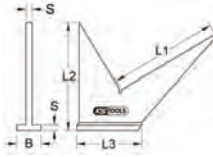
- Stock made from aluminium
- Upper edge divisions 1 mm
- Lower edge divisions 1 mm
- Large decimal scale
- Units engraved
- Scale division in black
- Blade made from cast iron



	L1 mm	L2 mm	Weight
300.0220	250.0	140.0	70

Mitre angle

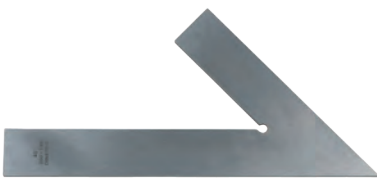
- In accordance with DIN 875/2
- Ideal for the most accurate working and inspection in precision mechanical engineering
- Stock and cross section finely ground and aligned
- With stock
- Special high performance steel



	L1 mm	L2 mm	L3 mm	S mm	B mm	Weight
300.0217	107.0	92.0	47.0	5.0	25.0	400
300.0218	128.0	110.0	59.0	5.0	25.0	450
300.0219	155.0	130.0	70.0	5.0	25.0	500

Sharpening angle 45°

- In accordance with DIN 875/2
- For the most accurate working and inspection in precision mechanical engineering
- Stock and cross section finely ground and aligned
- With stock
- Special steel



	L1 mm	L2 mm	S mm	H mm	Weight
300.0224	200.0	130.0	5.0	25	280

Adjustable square with steel blade

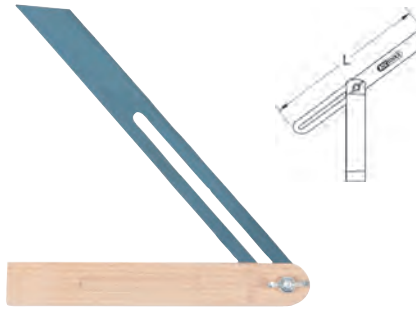
- Blade made from steel
- Ideal for simple metal working
- Wing nut for locking
- Channel for the adjustment of the angle
- Chrome plated
- Spring steel



	L mm	Weight
300.0327	200.0	180
300.0328	250.0	200
300.0329	300.0	220
300.0330	400.0	240
300.0331	500.0	260

Adjustable square

- Ideal for simple metal working
- Head stock out of wood and/or cast iron
- Wing nut for locking
- Channel for the adjustment of the angle
- Chrome plated
- Spring steel

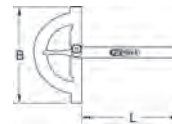


	L mm	Blade	Weight
300.0230	250.0	cast iron	200
300.0240	250.0	wood	100

PROTRACTOR

Protractor with open arch

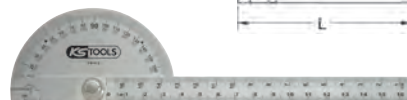
- Ideal for measuring of angles 0 - 180°
- Half round open arch
- With locking screw
- Degree graduation 1°
- With large decimal scale
- Units engraved
- Scale division in black
- Anti glare matt finish
- Stainless steel



	B mm	L mm	Weight
300.0640	80.0	120.0	150
300.0641	120.0	150.0	200
300.0642	150.0	200.0	300
300.0643	200.0	300.0	500
300.0644	300.0	500.0	1400
300.0645	300.0	600.0	1450
300.0646	320.0	690.0	1500
300.0647	420.0	800.0	2600
300.0648	420.0	1000.0	2900
300.0649	420.0	1190.0	3400

Protractor

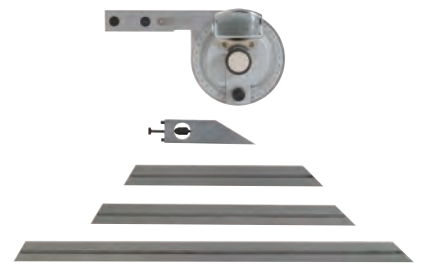
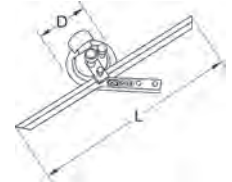
- Ideal for measuring of angles 0 - 180°
- Half round arch
- Locking screw
- Divisions printed in two directions
- Two direction scale in mm division in upper and lower edge
- Units engraved
- Scale division in black
- Anti glare matt finish
- Stainless steel



	B mm	L mm	Weight
300.0700	90.0	220.0	70
300.0701	200.0	400.0	150

Universal protractor

- Ideal for the measuring of angles on workpieces, devices and machines
- Also can be used as a ruler, cross and mitre square
- Locking screw
- Reading with magnifying glass for viewing field over the entire vernier scale
- Fine adjustment through geared wheel and toothed rim
- Indicating dial reading 4 x 90°
- Vernier scale reading 1/12° - 5 angular minutes
- Units engraved
- Anti glare matt finish matt chrome
- Includes 3 measuring bars 150 mm, 200 mm und 300 mm
- Stainless steel
- In durable plastic case



	D mm	L mm	Weight
300.0207	70.0	300.0	600

FOLDING RULES

Wooden folding rule, yellow

- Out of ten yellow dividers
- Outside visible joints with spring fittings
- Through riveted joints
- Two sided mm divisions on the upper and lower edge
- Large decimal scale
- Scale division in black
- Overall length 2 meters
- Measuring accuracy according to EC accuracy class III
- Beech wood



	L m	Width mm	Number of links	Weight
300.0060	2.0	16.0	10	100

Wooden folding rule, white

- Out of ten white dividers
- Outside visible joints with brass spring fittings
- Through riveted joints
- Two sided mm divisions on the upper and lower edge
- Large decimal scale red marking
- Scale division in black
- Overall length 2 meters
- Measuring accuracy according to EC accuracy class III
- Beech wood



	L m	Width mm	Number of links	Weight
300.0062	2.0	16.0	10	110

Wooden folding rule, white/yellow

- Out of ten white/yellow dividers
- Outside visible joints with brass spring fittings
- Through riveted joints
- Two sided mm divisions on the upper and lower edge
- Large decimal scale red marking
- Scale division in black
- Overall length 2 meters
- Measuring accuracy according to EC accuracy class III
- Beech wood



	L m	Width mm	Number of links	
300.0063	2.0	16.0	10	100

Plastic folding rule, yellow

- Out of ten yellow dividers
- Durable special joint connection
- Two sided mm divisions on the upper and lower edge
- Large decimal scale
- Scale division in black
- Overall length 2 meters
- Measuring accuracy according to EC accuracy class III
- Glass fibre reinforced and bends resistant ABS-plastic



	L m	Width mm	Number of links	
300.0061	2.0	16.0	10	100



REEL TAPE MEASURES

Tape measure with locking device and belt clip

- Yellow varnished steel strip
- mm divisions on the upper and lower edge
- Scale division in black
- Decimal in red marking
- Automatic tape returns and tape locking
- Plastic tape guide
- Wrist strap
- Measuring accuracy according to EC accuracy class II
- Weathering spring band steel
- Dual component plastic housing



	L m	Tape width mm	
300.0113	3.0	16.0	100
300.0114	5.0	19.0	130
300.0115	5.0	25.0	190
300.0116	8.0	25.0	210

Tape measure with locking device and belt clip

- Yellow lacquered, abrasion proof polyamide coated steel tape
- mm divisions on the upper and lower edge
- Scale division in black
- Decimal in red marking
- Automatic tape returns and tape locking
- Metallic tape guide
- Wrist strap
- Measuring accuracy according to EC accuracy class II
- Flexible, kink proof weathering spring band steel
- ABS two component housing



	L m	Tape width mm	
300.0131	3.0	16.0	100
300.0132	5.0	19.0	150
300.0133	5.0	25.0	150
300.0134	8.0	25.0	370
300.0135	10.0	30.0	500

Tape measure with locking device, belt clip and magnetic stop

- Yellow lacquered, abrasion proof polyamide coated steel tape
- mm divisions on the upper and lower edge
- Scale division in black
- Decimal in red marking
- Automatic tape returns and tape locking
- Magnetic stop
- Measuring accuracy according to EC accuracy class II
- Flexible, kink proof weathering spring band steel
- ABS two component housing



	L m	Tape width mm	
300.0143	5.0	25.0	150

Enclosed tape measure with plastic tape

- Yellow glass fibre reinforced plastic tape
- Stretch, abrasion resistant and washable
- Measuring begins at 100 mm after measurement stop
- cm division on the lower edge
- Large decimal scale-red marking
- Scale division in black
- Good handling through the crank arm and locking position
- Measuring accuracy according to EC accuracy class III
- Impact resistant, ABS plastic housing



	L m	Tape width mm	
300.0040	10.0	10.0	350
300.0041	20.0	10.0	400
300.0042	30.0	10.0	550
300.0043	50.0	10.0	690

Frame tape measure with yellow steel tape

- Yellow lacquered, abrasion proof polyamide coated steel tape
- Measuring begins at 100 mm after measurement stop
- mm division on the lower edge
- Large decimal scale red marking
- Scale division in black
- Two ball bearings guarantee easy winding in and out
- Good handling through the crank arm and locking position
- Measuring accuracy according to EC accuracy class III
- Impact resistant, ABS plastic housing



	L m	Tape width mm	
300.0055	30.0	13.0	800
300.0056	50.0	13.0	1000

Frame tape measure with yellow steel tape

- Yellow lacquered, abrasion proof polyamide coated steel tape
- mm division on the lower edge
- Large decimal scale
- Scale division in black
- Two ball bearings guarantee easy winding in and out
- Good handling through the crank arm and locking position
- Measuring accuracy according to EC accuracy class II
- Glass fibre reinforced and bend resistant plastic
- Impact resistant steel framework with plastic handle



	L m	Tape width mm	
300.0049	20.0	13.0	800
300.0050	30.0	13.0	900
300.0051	50.0	13.0	1000

Reel tape measure with plastic tape

- White glass fibre reinforced plastic tape
- Stretch, abrasion resistant and washable
- Large decimal scale
- Scale division in black
- Two ball bearings guarantee easy winding in and out
- Good handling through the crank arm and locking position
- Measuring accuracy according to EC accuracy class III
- Impact resistant steel framework with plastic handle



	L m	Tape width mm	
300.0052	20.0	13.0	800
300.0053	30.0	13.0	900
300.0054	50.0	13.0	1000

1
2
3
4
5
6
7
8
9
10
11
12
13
14
15
16
17
18
19
20
21
22
23
24
25
26
27
i

SPIRIT LEVELS

Aluminium profile spirit level with fine adjustment

- Smooth aluminium rectangular profile
- Light profile weight
- Accurate to 0,5 mm per meter
- 4 robust Acrylglas-vials (0° + 45° + 90°)
- Fine adjustment
- 1,8 mm wall thickness
- Hanging hole
- Aluminium



	L mm	B mm	H mm	W
204.5610	600.0	22.0	50.0	250
204.5810	800.0	22.0	50.0	350
204.5910	1000.0	22.0	50.0	450

Aluminium profile spirit level with pipe levelling

- Aluminium rectangular profile
- Profile graduated for pipe leveling
- Light profile weight
- 2 through handles for easier handling
- Accurate to 0,5 mm per meter
- 3 robust Acrylglas vials (0° + 90°)
- Push softening end caps
- Measuring area milled
- 1,8 mm wall thickness
- Hanging hole
- Aluminium

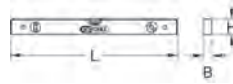


	L mm	B mm	H mm	W
204.7050	500.0	27.0	64.0	450
204.7060	600.0	27.0	64.0	550
204.7080	800.0	27.0	64.0	730
204.7100	1000.0	27.0	64.0	910
204.7150	1500.0	27.0	64.0	1370



Aluminium profile spirit level

- Smooth aluminium rectangular profile
- Light profile weight
- Accurate to 0,5 mm per meter
- 3 robust Acrylglas vials (0° + 45° + 90°)
- 1,8 mm wall thickness
- Hanging hole
- Aluminium



	L mm	B mm	H mm	W
204.5400	400.0	22.0	50.0	200
204.5500	500.0	22.0	50.0	240
204.5600	600.0	22.0	50.0	300
204.5800	800.0	22.0	50.0	350
204.5900	1000.0	22.0	50.0	400

Heavy aluminium die cast spirit level

- Skeleton profile
- Accurate to 0,5 mm per meter
- 3 robust Acrylglas vials (0° + 45° + 90°)
- Very high torsional stiffness
- All sides of the level can be used as the reading edge
- Measuring area and front sides milled
- Hanging hole
- Aluminium



	L mm	B mm	H mm	W
204.4410	400.0	23.0	44.0	200
204.4610	600.0	23.0	44.0	400
204.4810	800.0	23.0	44.0	600

Aluminium profile spirit level, magnetic

- DIN 877
- Smooth aluminium rectangular profile
- Light profile weight
- Accurate to 0,5 mm per meter
- 2 robust Acrylglas vials (0° + 90°)
- Hanging hole
- Magnetic
- Aluminium



	L mm	B mm	H mm	W
204.5470	400.0	21.0	50.0	280
204.5471	600.0	21.0	50.0	280



Spirit level, magnetic

- DIN 877
- Skeleton profile
- With 2 through handles for easier handling
- Accurate to 0,5 mm per metre
- 3 robust Acrylglas-block vials (0° + 90° + angle vial)
- With hanging hole
- Magnetic
- Made of stabilised cast iron
- Shock-absorbing end caps



	L mm	B mm	H mm	W
204.5480	600.0	25.0	54.0	280
204.5481	800.0	25.0	54.0	300

Heavy aluminium die cast spirit level in torpedo form

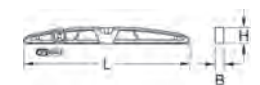
- Skeleton profile
- Accurate to 0,5 mm per meter
- 2 robust Acrylic vials (0° + 90°)
- Very high torsional stiffness
- Torpedo form
- Measuring area milled
- Hanging hole
- Made from aluminium die cast



	L mm	B mm	H mm	W
204.4400	400.0	23.0	47.0	260
204.4500	500.0	23.0	47.0	300
204.4600	600.0	23.0	47.0	400
204.4800	800.0	23.0	47.0	650
204.4900	1000.0	23.0	47.0	800

Heavy aluminium die cast spirit level in torpedo form, magnetic

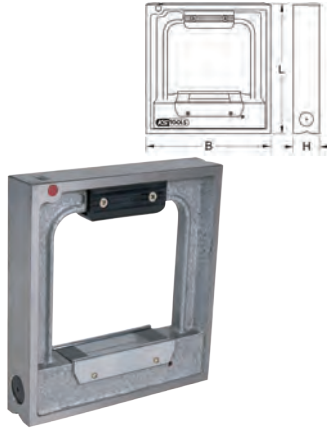
- Skeleton profile
- Accurate to 0,5 mm per meter
- 2 robust Acrylglas vials (0° + 90°)
- Very high torsional stiffness
- Torpedo form
- Magnetic
- Measuring area milled
- Hanging hole
- Made from aluminium die cast



	L mm	B mm	H mm	W
204.6400	400.0	23.0	47.0	470
204.6500	500.0	23.0	47.0	600
204.6600	600.0	23.0	47.0	600
204.6800	800.0	23.0	47.0	1000

Spirit level with a frame

- DIN 877
- made of stabilised cast iron
- Lateral surfaces are fitted with anti-slip insulating plates
- Accurate to 0.04 mm per metre
- 1 robust Acrylglas-block vial (0°)
- Vial is protected behind transparent Plexiglas
- in a durable metal case



	L mm	B mm	H mm	Weight
204.5487	200.0	200.0	42.5	2.00

RULERS

Semi flexible steel ruler

- Upper edge 1 mm
- Lower edge 1 mm
- Large decimal scale
- Units engraved
- Scale division in black
- Anti glare matt finish reflection free
- Rounded edges
- Measuring accuracy according to EC accuracy class II
- Rust proof
- Hard tempered spring steel



	L mm	H mm	Weight
300.0110	300.0	30.0	70
300.0111	500.0	30.0	105
300.0112	1000.0	30.0	245
300.0117	1500.0	30.0	370
300.0118	2000.0	30.0	490

Flexible steel ruler

- Upper edge 1/2 mm
- Lower edge 1 mm
- Large decimal scale
- Units engraved
- Scale division in black
- Anti glare matt finish reflection free
- Rounded edges
- Measuring accuracy according to EC accuracy class II
- Rust proof
- Hard tempered spring steel



	L mm	H mm	Weight
300.0101	150.0	13.0	9
300.0102	200.0	13.0	11
300.0103	250.0	13.0	14
300.0104	300.0	13.0	16
300.0105	500.0	13.0	37
300.0106	1000.0	13.0	72



Precision ruler

- mm division on the upper edge
- Chamfer
- Without protective layer
- Hanging hole
- Finely polished and zinc plated
- Steel



	L mm	H mm	S mm	Weight
300.0121	300.0	50.0	5.0	186
300.0122	500.0	50.0	5.0	292
300.0123	600.0	50.0	5.0	350
300.0124	800.0	50.0	5.0	460
300.0125	1000.0	50.0	5.0	600

Precision straightedge

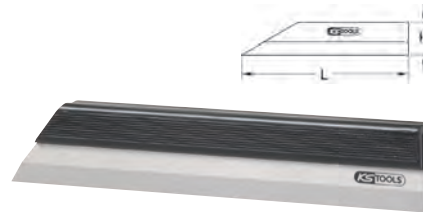
- For the inspection and the exact working on cylinder heads
- In accordance with DIN 874/1
- Double T profile rail with rear 5 hand slots
- On edge and flat sides examination process
- Hanging hole
- Steel



	L mm	H mm	S mm	Weight
152.1090	600.0	30.0	16.0	2.10

Precision straightedge

- In accordance with DIN 874/00
- Hand warmth protection
- Test area precise and finely engineered
- Flatness tolerance for highest accuracy
- For controlled and test working in the light gap procedure
- Hardened
- Stainless steel



	L mm	H mm	Weight
300.0630	50.0	25.0	40
300.0631	75.0	25.0	60
300.0632	100.0	25.0	80
300.0633	125.0	25.0	100
300.0634	150.0	25.0	120
300.0635	200.0	25.0	160
300.0636	300.0	25.0	240
300.0637	400.0	25.0	320
300.0638	500.0	25.0	400
300.0639	600.0	25.0	480

MARKING GAUGE & SCRIBER

Scriber

- For marking of work pieces
- Straight and 70° bent tip
- Knurled handle
- Hardened point
- Burnished
- Special steel



	L mm	D mm	Weight
300.0300	190.0	4.0	10

Hard metal scriber

- For marking of work pieces
- Straight form
- Hard metal tip
- Pocket clip
- Hardened point
- Chrome plated
- Special steel



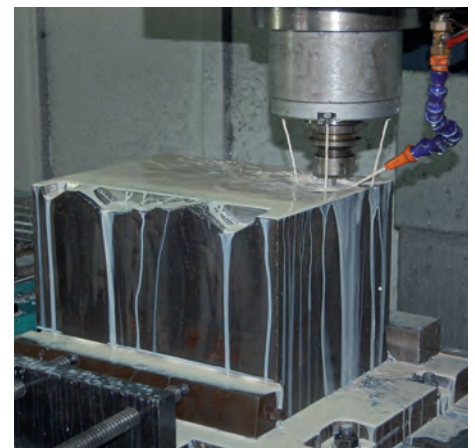
	L mm	D mm	Weight
300.0301	145.0	5.0	60

Hard metal scriber in ball-point pen form

- For marking of work pieces
- Straight form
- Hardened and interchangeable hard metal tips
- Pocket clip
- Protection through foldaway needle tip
- Adjustable and lead bow mine
- Metal housing



	L mm	D mm	Replacement tip	Weight
300.0302	150.0	8.0	300.0303	40





Mechanics marking gauge

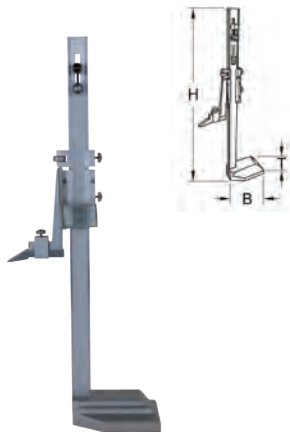
- Revolving base
- Fine adjustment by means of a fixed adjusting screw
- For simple marking of workpieces
- Hardened scribing iron
- Bar made out of stainless steel
- Prism shaped socket made out of cast iron



	H mm	B mm	T mm	g
300.0627	300.0	100.0	80.0	700
300.0628	400.0	400.0	80.0	750
300.0629	500.0	500.0	80.0	780

Precision vernier height gauge

- DIN 862
- Measuring range 0-300 mm
- Fine adjustment by means of a fixed adjusting screw
- For simple marking of work pieces
- With hardened scribing iron
- Bar made out of stainless steel
- Base made out of cast iron
- Accurate to 0.02mm
- Adjustable magnifying glass
- Measuring table supplied
- in an elegant wooden box

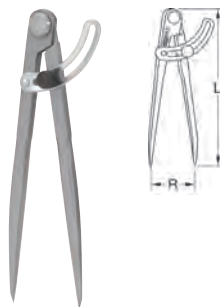


	H mm	B mm	T mm	g
300.0652	555.0	130.0	90.0	2.90

DIVIDERS

Pointed dividers with regulating arc

- Square edged irgs and riveted hinge
- Locking screw
- Hardened points
- Ground and finely polished
- Special steel



	R mm	L mm	g
300.0416	300.0	150.0	135
300.0417	400.0	200.0	190
300.0418	500.0	250.0	275
300.0419	600.0	300.0	320

Pointed dividers without regulating arc

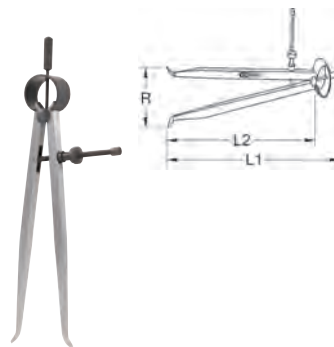
- Square edged irgs and riveted hinge
- Hardened points
- Ground and finely polished
- Special steel



	R mm	L mm	g
300.0412	300.0	150.0	125
300.0413	400.0	200.0	180
300.0414	500.0	250.0	245
300.0415	600.0	300.0	295

Precision spring gap dividers inside callipers

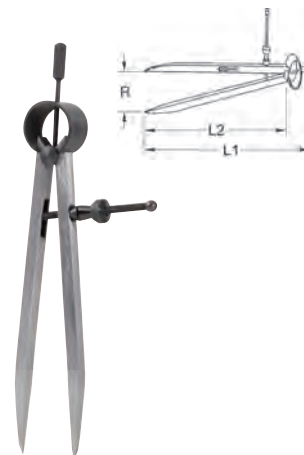
- Extra square edged legs
- Through stay spindle and fast clamping nut
- Hardened points
- Ground and finely polished
- Special steel



	R mm	L1 mm	L2 mm	g
300.0421	144.0	200.0	150.0	120
300.0422	200.0	250.0	200.0	160
300.0423	245.0	300.0	250.0	205
300.0424	300.0	355.0	300.0	240

Precision spring pointed dividers

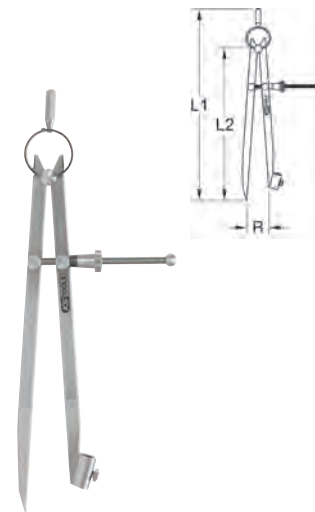
- Extra square edged legs
- Through stay spindle and fast clamping nut
- Hardened points
- Ground and finely polished
- Special steel



	R mm	L1 mm	L2 mm	g
300.0402	138.0	200.0	150.0	120
300.0404	190.0	255.0	200.0	160
300.0405	235.0	300.0	250.0	200
300.0406	280.0	360.0	300.0	235

Precision spring pointed dividers with pencil holder

- Extra square edged legs
- Through stay spindle and fast clamping nut
- Hardened points
- Ground and finely polished
- Special steel

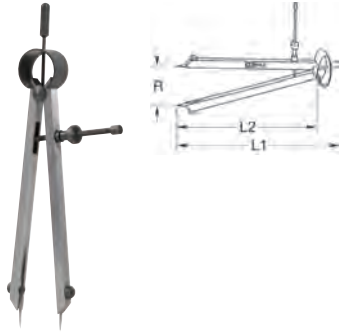


	R mm	L1 mm	L2 mm	g
300.0411	210.0	260.0	205.0	150



Precision spring pointed dividers with interchangeable tips

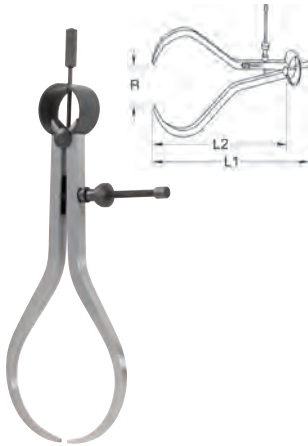
- Extra square edged legs
- Through stay spindle and fast clamping nut
- Interchangeable tips
- Hardened points
- Ground and finely polished
- Special steel



	R mm	L1 mm	L2 mm	Replacement tip	Weight
300.0429	130.0	190.0	150.0	300.0434	120
300.0431	190.0	260.0	200.0	300.0434	155
300.0432	240.0	300.0	250.0	300.0434	205
300.0433	285.0	355.0	300.0	300.0434	245

Precision spring gryphon dividers outside callipers

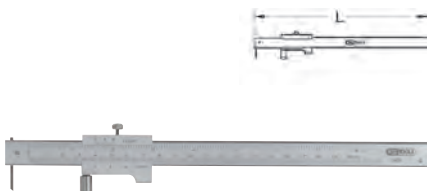
- Extra square edged legs
- Through stay spindle and fast clamping nut
- Hardened points
- Ground and finely polished
- Special steel



	R mm	L1 mm	L2 mm	Weight
300.0425	180.0	200.0	150.0	135
300.0426	190.0	260.0	200.0	185
300.0427	235.0	310.0	250.0	225
300.0428	280.0	345.0	300.0	260

Universal marking gauge with stop roller

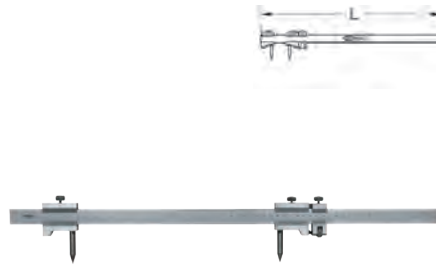
- Ideal for simple marking of work pieces
- Vernier caliper 1/128"
- Interchangeable tip
- Locking screw
- Measuring bar with mm divisions
- Hardened
- Stainless steel



	Measuring range mm	L mm	Display accuracy mm	Replacement tip	Weight
300.0626	200.0	265.0	1/20 mm; 1/128"	300.0651	200

Precision beam compass

- In accordance with DIN 866/B
- Interchangeable tips
- Fine adjustment
- Measuring bar with mm divisions
- Position slider with reference marker
- Hardened
- Stainless steel



	Measuring range mm	L mm	Display accuracy mm	Replacement tip	Weight
300.0407	0 - 500	660.0	1/10	300.0410	1.18
300.0408	0 - 1000	1170.0	1/10	300.0410	2.24

MEASURING AND TESTING TOOLS

Infrared thermometer

- Laser pistol for non contact temperature measurement
- Ideally suited for the automotive sector, industrial, and construction usage Chemical and foodstuffs industry
- Laser measuring beam with a red measuring point
- Illuminating Display
- LCD Digital display
- Automatic swiching off
- Includes 9V block battery
- Stable plastic housing

Application range: In turning motors, difficult to access places, fluids, under current line directions, in heating appliances, gas and, air-conditioning, coolant systems, brake discs aggressive chemicals and groceries



- Technical data:**
- Switchable: °C / °F
 - Working range: -50° - 550 °C
 - Emission factor: adjust to 0.95
 - Power output max: 1mW
 - Power requirement: 9V block battery

	Measuring range mm	L mm	Display accuracy mm	Replacement tip	Weight
150.3040					250

Photoelectric rev counter, LED display/laser

- Portable laser measuring instrument, digital
- For touchless measuring of the rotating speed / number of revolutions
- LED display 18mm
- Automatic back up: last test result / maximum and minimum value
- Laser aim point to focus exactly on the measuring point
- Solid state RPM measurement by reflectors supplied

Application range: Trucks, land and construction machines, municipally and forestry technology, conveyor belts, machinery, revolution motor shafts etc.



- Technical data:**
- Working range: 2.5 - 99.999 U/min
 - Measuring distance: 50-500 mm
 - Resolution: 0.1 RPM up to 999.9, 1 RPM from 1000
 - Display accuracy: 0,05% +/- 1
 - Power requirement: 3x 1,5V AAA (not in the delivery)
 - Dimensions: 185x73x37mm
 - Working temperature: 0° / +40°C

	Measuring range mm	L mm	Display accuracy mm	Replacement tip	Weight
455.0130					415

accessories:

	Measuring range mm	L mm	Display accuracy mm	Replacement tip	Weight
455.0131					1

